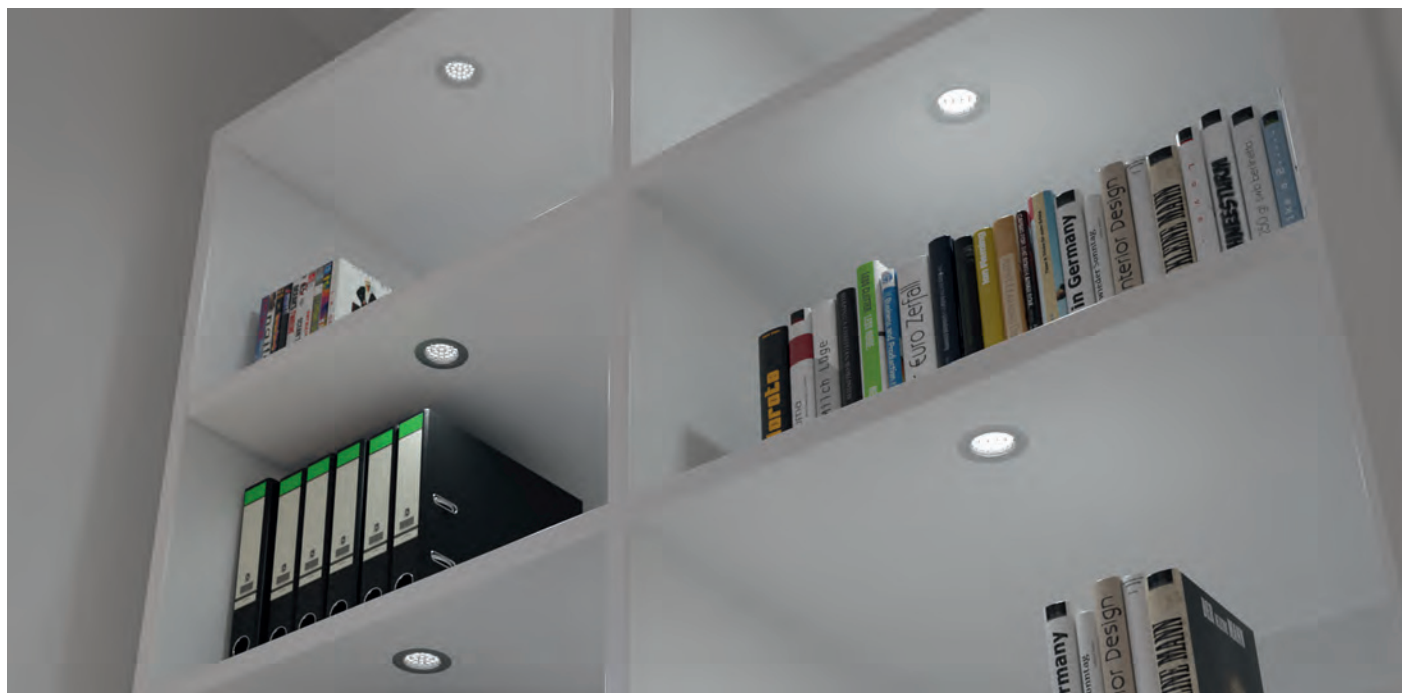


Spot lights

- ▶ LED lights
- ▶ EcoPower Plus



Product benefits

- ▶ Compact LED recessed light
- ▶ Inexpensive lighting solution

Product features

- ▶ Recessed light with 58 mm installed diameter

Examples of use

- ▶ Shelves
- ▶ Showcases

Ordering Information

- ▶ LED ballasts must be ordered separately
- ▶ Please check the pictograms for easier lamp / ballast combination.

Technical details in brief

Lamp type:	LED recessed light
Type of lighting:	Functional / accent lighting
Surface finish:	Aluminium look
Operating voltage:	12 Volt DC
Light colour:	Warm white / Neutral white
Colour Rendering Index:	85
Energy efficiency:	A+ 50 lm/W
Life span:	20,000 hours at 70%
Power consumption:	1.7 W
Dimmable:	Yes
Number of LEDs:	24
Beam angle:	60°
Test marks and symbols:	CE ◊ ▼ ▼
Protection rating:	IP 44
Installed diameter:	58-61 mm
Supply lead:	2000 mm
Plug connection:	LED mini plug connection M1
Connection to:	LED ballast

EcoPower Plus

Light colour	Order no. Individual light	PU
Warm white	32 943 61	1 each
Neutral white	32 943 60	1 each

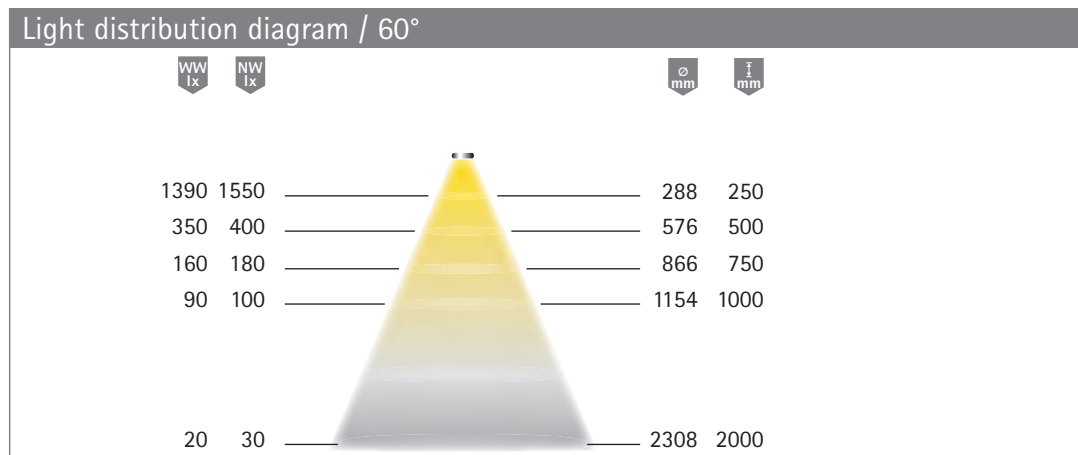
Accessories (Switch systems p. 162 ff. – Ballasts and leads p. 182 ff.)

Article	Order no.	PU
LED ballast 20 W with flat Euro plug	30 997 01	1 each
LED M1 extension lead 1800 mm	36 768 01	1 each
LED M1 3-way distributor 180 mm	36 788 11	1 each
LED M1 6-way distributor 2000 mm	36 125 01	1 each

Spot lights

- ▶ LED lights
- ▶ EcoPower Plus

12V



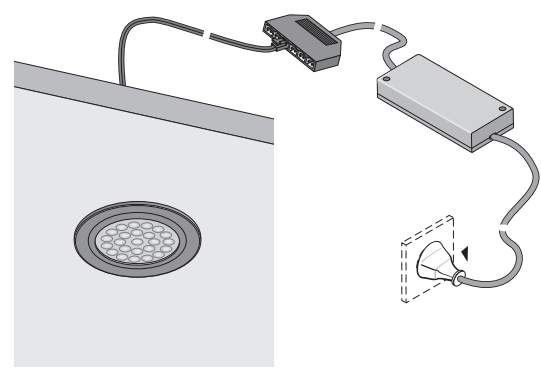
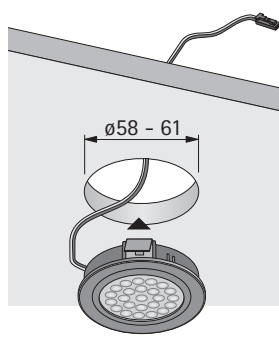
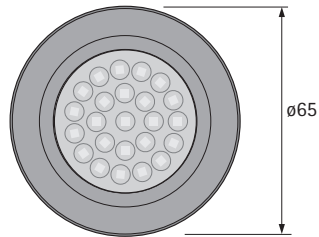
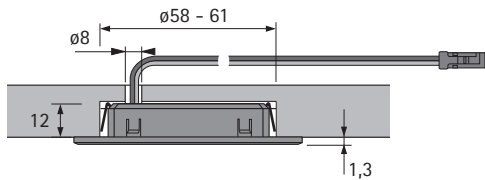
h

Diese Leuchte enthält eingebaute LED-Lampen

Die Lampen können in der Leuchte nicht ausgetauscht werden.

874/2012

Dimensional drawing / Assembly



Spot lights